

# RM-IN2216

Rail Mount Antenna

Issue Date: 29/11/2017 v.1

## Rail Mount Meter Antenna

Low Profile

EN50022 Rail Mount

Right Angle FAKRA D Jack



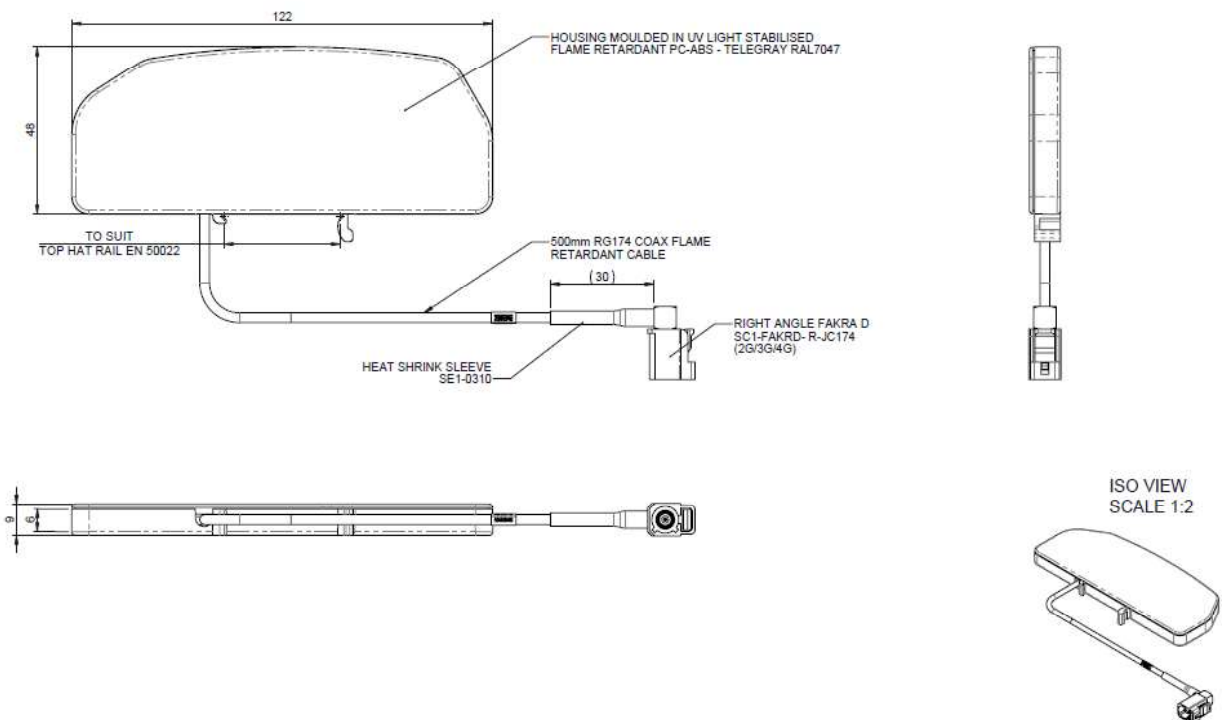
The Panorama RM-IN2216 antenna is designed to decrease the lifetime cost of smart metering installations by offering a robust, effective antenna that is easy to install.

The antenna offers ground-plane independent omni-directional performance across the 800-960/1710- 2700MHz bands. The efficient element design ensures a high first time connection rate and an ongoing, robust communications link even in many low coverage areas+.

The antenna can be installed using the supplied EN50022 rail mount and offers a right angle FAKRA D Jack

+Performance may change based on mounting surface.

### Technical Drawing



## Part No.

RM-IN2216

## Electrical Data

Frequency Range (MHz) 800-960 /1710-2700

Typical Peak Gain: Isotropic † 2dBi

Polarisation Vertical

Pattern Omni-directional

Impedance 50Ω

Max input power (W) 10

## Mechanical Data

Height 122 (4.8")

Dimensions (mm) Length 48 (1.89")

Depth 9 (0.35")

Operating Temp (°C) -30° / +70°C (-30° / 158°F)

Material Flame Retardant PC/ABS Plastic

Colour RAL 7047- Grey

## Mounting Data

Fixing EN50022 Rail Mount

## Cable Data

Cable Type Flame Retardant RG174

Diameter (mm) 2.8 (.1")

Length (m) 0.5( 1.5')

Min Bend Radius (mm) 6.35

Termination R/A FAKRA D Jack

† Peak gain does not include cable attenuation

Typical VSWR\*



\*VSWR measured mounted on meter in cabinet in free space with 0.5m of RG174 cable